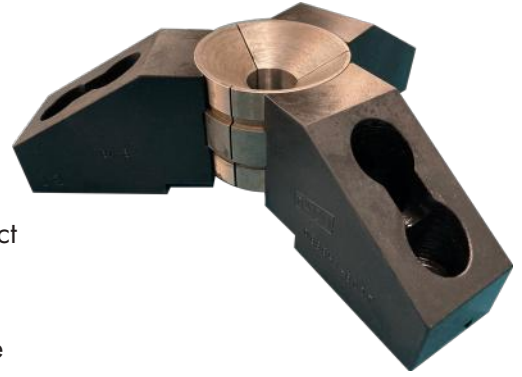


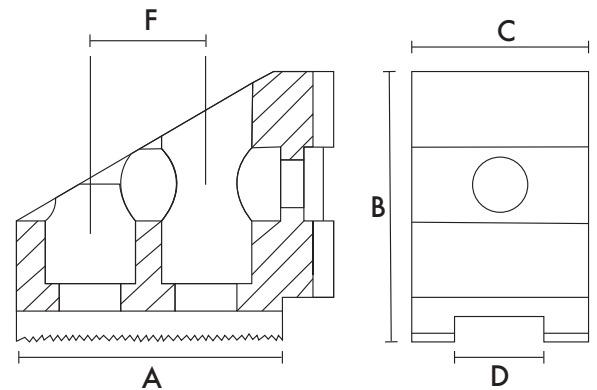
COLLECT PAD TOP JAWS

Collect pad top jaws mount to a chuck in the same manner as standard top jaw tooling. Combined with collect pads of various shapes and sizes, collect pads top jaws offer flexibility and reduced changeover time. Below are the jaws stocked in Daco's inventory, however, collect pads top jaws can be manufactured for any chuck. The first half of the part number designates the equivalent soft jaw used, while the second half reflects the collect pad series needed to hold the specified diameter. See pages 22-29 for information on Daco collect pads.



TO ORDER, PLEASE SPECIFY:

1. Chuck diameter and model number
2. Maximum work diameter or current collect pad part number



COLLECT PAD TOP JAWS

CRITICAL

chuck size	part number	A	B	C	D	F	SCREW SIZE	pad capacity (round only)
6	D6SSH388007	1.99	2.25	1.25	0.473	0.790	10mm	2.00
8	D8SSH18007	3.08	2.25	1.50	0.551	0.984	12mm	2.00
8	D8SSH18008	2.70	2.25	1.50	0.551	0.984	12mm	2.50
8	D8SSH18009	2.70	2.25	1.50	0.551	0.984	12mm	1.50
10	D10SSH8009	4.10	2.00	1.50	0.630	1.187	12mm	1.50
10	D10SSH8007	4.10	2.25	1.50	0.630	1.187	12mm	2.00
10	D10SSH8008	3.70	2.25	1.50	0.630	1.187	12mm	2.50
10	D10SSH8004	3.50	2.50	2.00	0.630	1.187	12mm	3.00
12	D11SSH28008	4.38	2.50	2.00	0.710	1.187	14mm	2.50
12	D11SSH28004	4.56	2.63	2.00	0.710	1.187	14mm	3.00
12	D212SSH8008	4.81	2.50	2.00	0.827	1.187	16mm	2.50
12	D212SSH8004	4.50	2.50	2.00	0.827	1.187	16mm	3.00
15	D15SSH18002	5.34	3.63	2.50	0.866	1.687	20mm	4.50

*** OTHER SIZES AVAILABLE UPON REQUEST!!**